

TOTO LINK
The Smartest Network Device

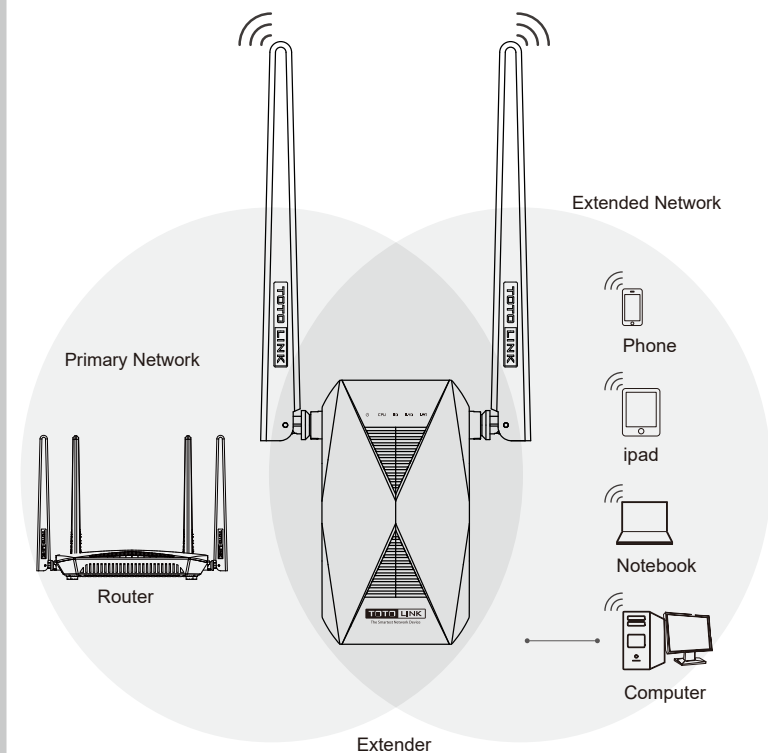
Quick Installation Guide

AC1200 Dual Band Wi-Fi Range Extender

Model: EX1200T

Copyrights © TOTOLINK. All Rights Reserved. <http://www.totolink.net>
Information in this document is subject to change without prior notice

1 Hardware Connection



Port and button function description

LAN Port	Connect the computer or switch by using the RJ45 cable.
RST	To restore extender to the factory settings: Plug the extender into a power outlet, using a paperclip, press and hold the reset pinhole for over 5 seconds until the CPU blinking quickly, and then let go. The extender will then reboot and be at factory default settings.
MESH Button	Enable MESH function. When the MESH function of the superior router is enabled, press the MESH button on extender, then the extender can connect to the superior router.
WPS Button	Enable 2.4GHz/5GHz WPS function. When the WPS function of the superior router is enabled, press the WPS button on extender, then the extender can connect to the superior router.

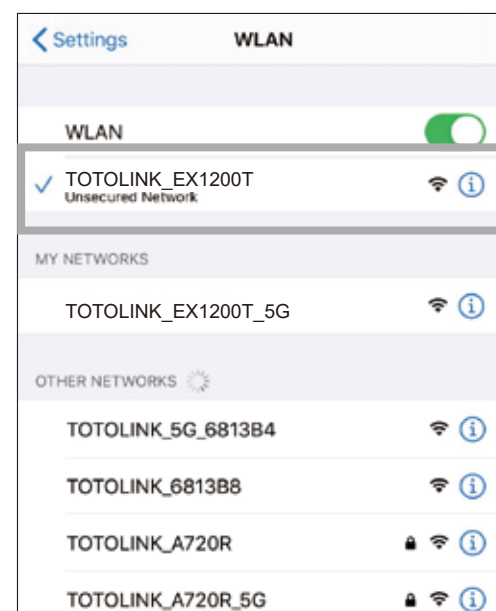
LED indicator status description

Power	Solid on	The power is on
	Off	The power is off
CPU	Slow blinking	The extender is working properly
	Quick blinking	When the reset process is being proceeded
	Solid on	When the WPS or MESH button is pressed, it will last for 2 minutes
5G	Green light on	The Expansion or Mesh connection is successful. Signal quality on 5GHz band is best
	Orange light on	The Expansion or Mesh connection is successful. Signal quality on 5GHz band is not so good.
	Off	No connection
2.4G	Green light on	The Expansion or Mesh connection is successful. Signal quality on 2.4GHz band is best
	Orange light on	The Expansion or Mesh connection is successful. Signal quality on 2.4GHz band is not so good.
	Off	No connection
LAN	Solid on	Network cable was connected on LAN Port
	Off	No network cable connected
	Blinking	Data is being transmitted

2 Quick Setup for EX1200T

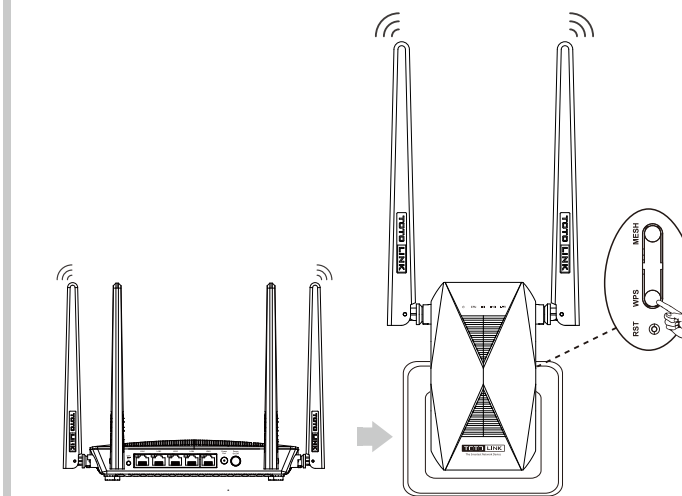
Option 1: Using your phone

- Plug the extender into an electrical outlet. Wait until the CPU indicator becomes blink slowly which means the extender is working normally.
- Go to WLAN Settings on your phone. Find the SSID **TOTOLINK_EX1200T** or **TOTOLINK_EX1200T_5G** and connect to it. (P1)



P1

Option 2: Using WPS(Wi-Fi Protected Set-up)



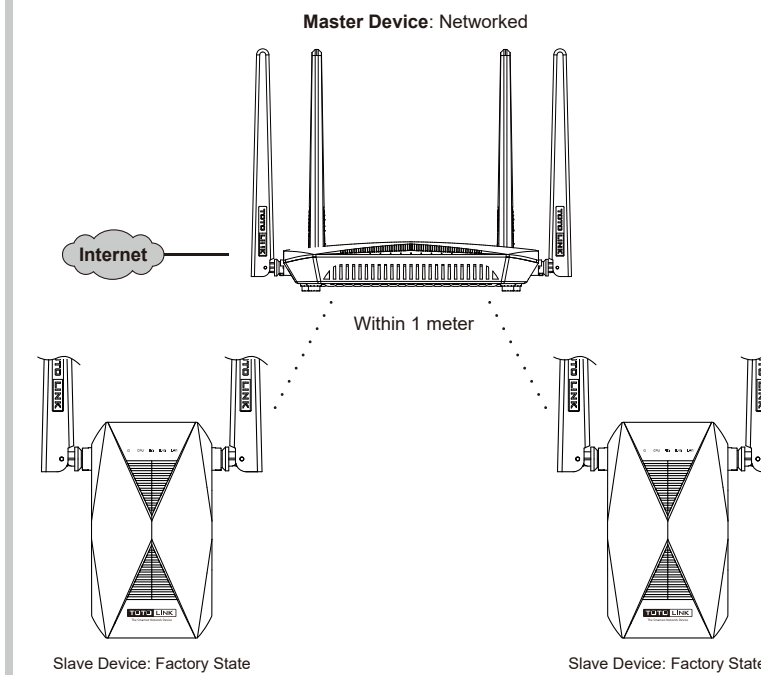
Please use Option1 if your router doesn't support WPS function.

- Plug the extender into an electrical outlet near your router (we suggest within two meters), and wait until it work normally.
- Press and hold the WPS button 1-3 seconds on extender, until the WPS LED light is solid on. Then press the WPS button on router within 2 minutes.
- Wait a moment and it indicates OK when the 2.4G/5G indicator remains solid on.
- After completing the configuration, please move the extender to a suitable location according to part 3 of this manual. Wait about 1 minute and observe the 2.4G/5G LED's color to ensure that the extender is in suitable place.

3 EasyMesh Networking Function

EX1200T has EasyMesh networking function, can work as slave device in mesh network. With the EasyMesh networking function, the network units can work together to form a unified network with a single network name. When you move around the house, the device will automatically switch between the two to get the fastest possible speed. The specific operation steps of networking function setting are as follows.

1 Installation Diagram



2 Build Master Device Environment

Make sure you have a TOTOLINK EasyMesh router which is setup and connected to Internet before installation. Connect your phone with the extender. Then open web browser, enter <http://totolink.net> in address bar, and log in to the web management interface of the master device. Then select **EasyMesh** settings, choose **Mesh Settings**, click "ON/OFF" and setting basic information, then click ***Apply***. Waiting for setting to complete.

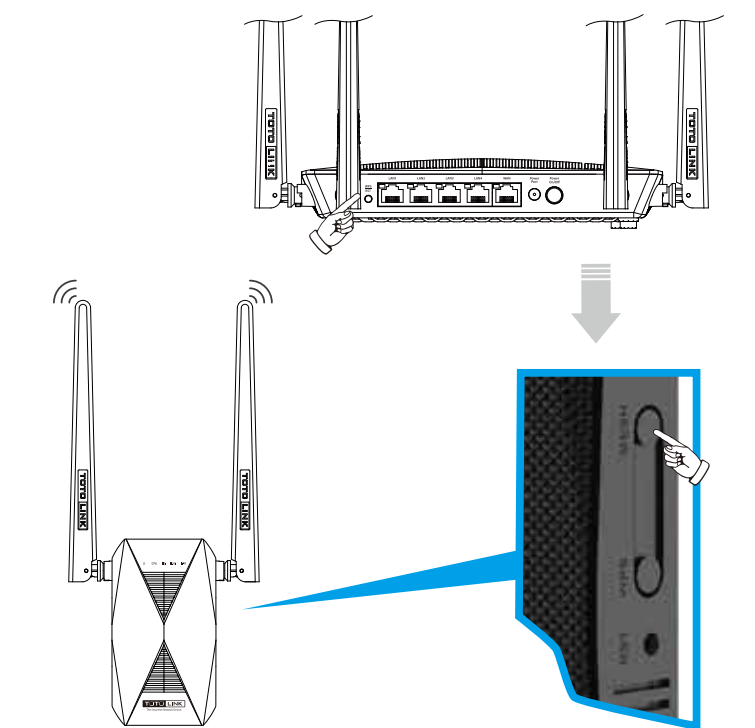


3 Build Slave Device Environment

Make sure extender is power on, and in factory setting. If you already changed setup, please reset the extender. (You can find how to restore the extender in FAQs)

4 EasyMesh Networking Pairing

- EasyMesh:** Press MESH button on master device first, then press MESH button on extender, it will pairing successfully within two minutes. If you want to pair multiple devices, repeat the step above.
Note: if your product doesn't have MESH button, use WPS button to replace it.



- Open any browser and enter <http://totolink.net> or **192.168.0.254** on address bar, then it jumps to configuration interface as below. Click **Repeater Mode** and then select the Wi-Fi band you want to extend. (P2-P3)



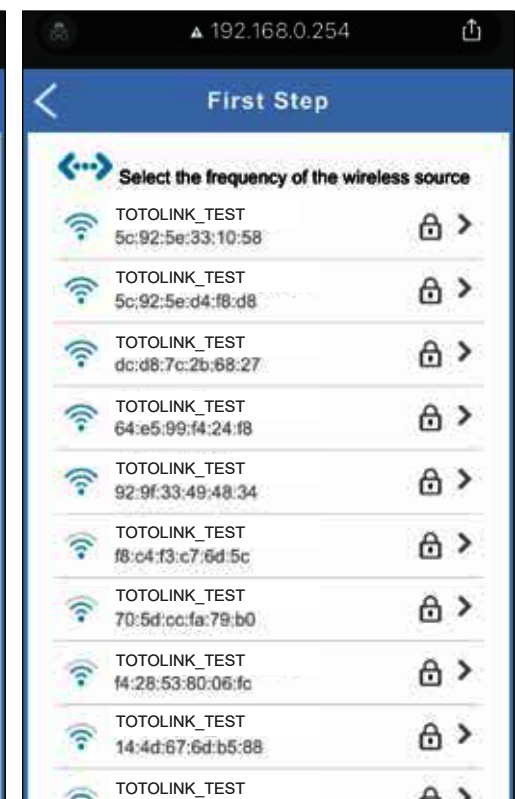
P2

- Select your superior router's 2.4GHz or 5GHz primary network and enter the password, then click **Next**.(P4-P5) (You can either keep the same SSID as your primary network or create new name for networks. For new SSID, please click **Modify SSID & Password of extended Wi-Fi**.)



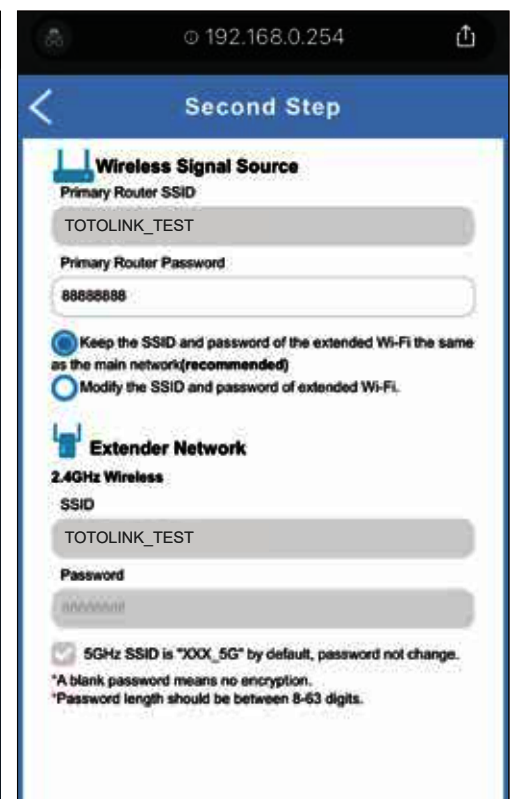
P3

- Please check whether the configuration information is correct. If it is correct, it is recommended to take a screenshot to save the information, then click **OK**. Wait for a while, please follow the instruction in the Setting Result page to check whether the extension is successful. If the 5G/2.4G indicator is on, the extension is successful. (P6-P7) Please reconnect to Wi-Fi and adjust it to a suitable place according to the instructions in Part 3 of this manual.



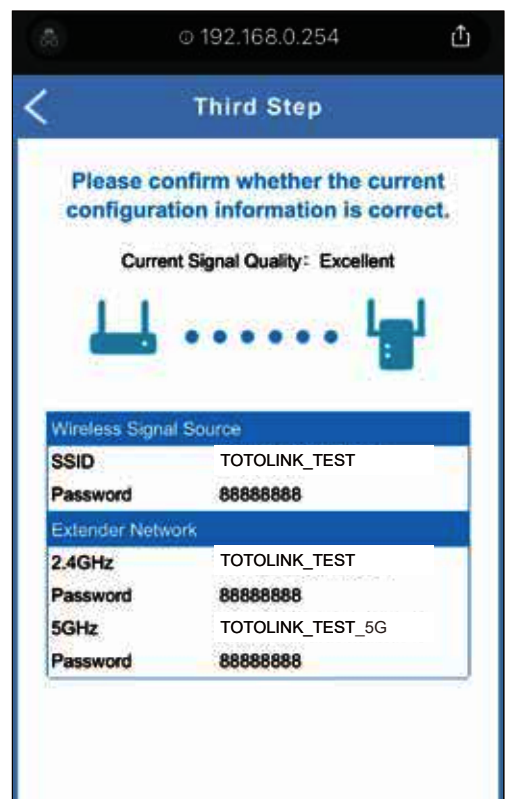
P4

- Please check whether the configuration information is correct. If it is correct, it is recommended to take a screenshot to save the information, then click **OK**. Wait for a while, please follow the instruction in the Setting Result page to check whether the extension is successful. If the 5G/2.4G indicator is on, the extension is successful. (P6-P7) Please reconnect to Wi-Fi and adjust it to a suitable place according to the instructions in Part 3 of this manual.



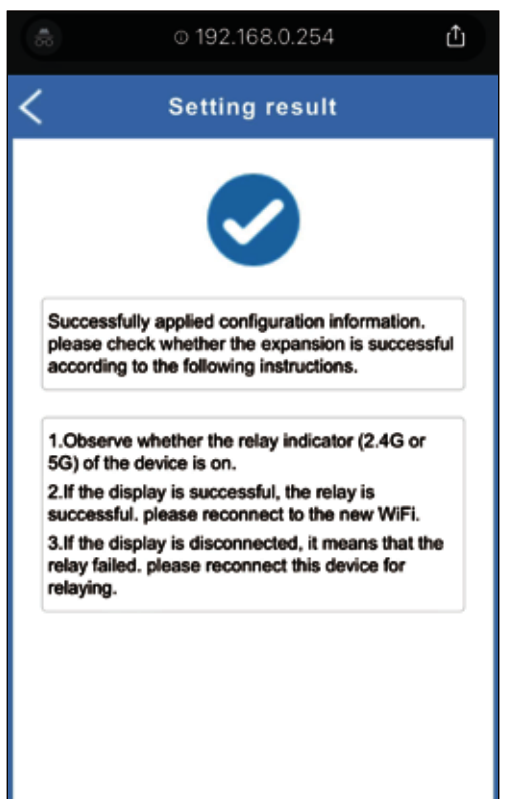
P5

- Please check whether the configuration information is correct. If it is correct, it is recommended to take a screenshot to save the information, then click **OK**. Wait for a while, please follow the instruction in the Setting Result page to check whether the extension is successful. If the 5G/2.4G indicator is on, the extension is successful. (P6-P7) Please reconnect to Wi-Fi and adjust it to a suitable place according to the instructions in Part 3 of this manual.



P6

- Please check whether the configuration information is correct. If it is correct, it is recommended to take a screenshot to save the information, then click **OK**. Wait for a while, please follow the instruction in the Setting Result page to check whether the extension is successful. If the 5G/2.4G indicator is on, the extension is successful. (P6-P7) Please reconnect to Wi-Fi and adjust it to a suitable place according to the instructions in Part 3 of this manual.



P7

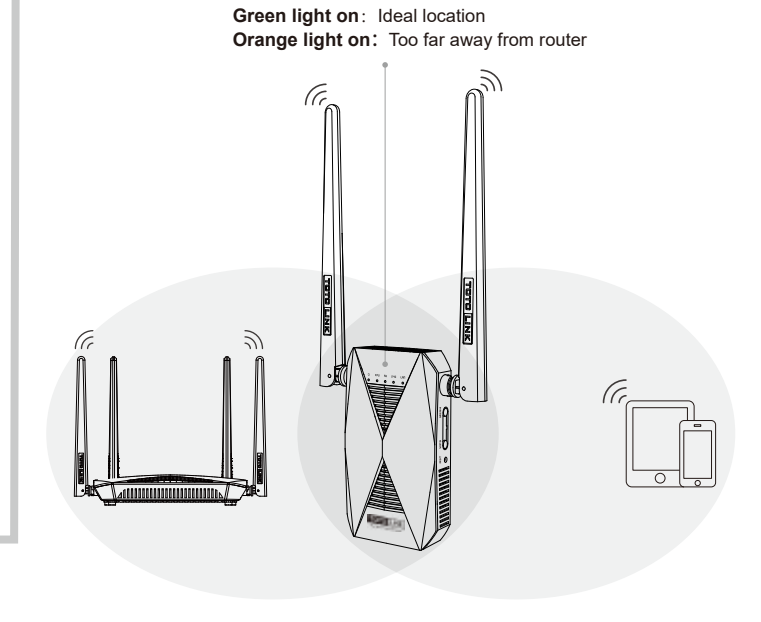
- After the mesh connection is successful, use the browser to enter <http://totolink.net> and click "EasyMesh"-Mesh Status" to view the status of the mesh connection.



4 Adjust the Position of the Extender

- After the setting is complete, your extender can be moved to somewhere else. There is no need to configure it again when it was unplugged from the outlet. After the system get restarted, the extender will automatically extend your wireless network.
- To achieve a good signal quality, please check whether the 2.4G/5G LED indicator remains solid on green. If not, relocate it close to the router.
 - Green light on: Right location and best signal quality
 - Orange light on: The signal quality is not very good and we suggest relocating it close to the router.
 - Light off: Please relocate it close to the router.

- Connect your WiFi devices to the repeater using the SSIDs set by yourself, or your router's/modem's SSID and using the WiFi password same as your existing WiFi network.



Warm tips:

- To avoid band interference, your extender need to maintain a certain distance from these home appliances that generally operate in the 2.4 GHz band such as microwave ovens, bluetooth.
- Please put your extender in a place where there is no obstacle.

5 FAQs

Q1: How can I set up the extender by using a Web browser?

A1: First plug the extender into an electrical outlet near your router and wait until it get start. Then connect the computer and the router through the network cable (or through wireless connection). Open any browser, enter <http://totolink.net> or **192.168.0.254** on address bar and it will jump to the configuration interface; then choose repeater mode in this configuration page. Next, select the SSID of superior router and enter the password; then click "connect" and it will start configuring. (To modify the network name and password that has been extended, please check "Modify SSID & Password of extended Wi-Fi" and then enter New SSID and password on the text box).

Q2: What should I do if I cannot access the extender's phone-based interface?

A1: Make sure your phone is connected to the Extended network SSID.
A2: Verify that 192.168.0.254 is correctly entered in phone browser.
A3: Reset the repeater, and try again.

Q3: Does this extender support simultaneous 2.4G and 5G signal extension?

A: No, it doesn't. You can only extend one of them.

Q4: How do I restore the extender to its factory default settings?

A: Plug the extender into a power outlet, using a paperclip, press and hold the reset pinhole for over 5 seconds until the CPU blinking quickly, and then let go. The extender will then reboot and be at factory default settings.

FCC warning

FCC Statement
This equipment has been tested and found to comply with the limits for a Class B digital device, pursuant to part 15 of the FCC Rules. These limits are designed to provide reasonable protection against harmful interference in a residential installation. This equipment generates, uses and can radiate radio frequency energy and, if not installed and used in accordance with the instructions, may cause harmful interference to radio communications. However, there is no guarantee that interference will not occur in a particular installation. If this equipment does cause harmful interference to radio or television reception, which can be determined by turning the equipment off and on, the user is encouraged to try to correct the interference by one or more of the following measures:
—Reorient or relocate the receiving antenna.
—Increase the separation between the equipment and receiver.
—Connect the equipment into an outlet on a circuit different from that to which the receiver is connected.
—Consult the dealer or an experienced radio/TV technician for help.
This device complies with part 15 of the FCC Rules. Operation is subject to the following two conditions: (1) This device may not cause harmful interference, and (2) this device must accept any interference received, including interference that may cause undesired operation.

Caution
Any changes or modifications not expressly approved by the party responsible for compliance could void the user's authority to operate the equipment.

Radiation Exposure Statement
This equipment complies with FCC radiation exposure limits set forth for an uncontrolled environment. This transmitter must not be co-located or operating in conjunction with any other antenna or transmitter. This equipment should be installed and operated with minimum distance 20cm between the radiator & your body.

Manufacturer: ZIONCOM ELECTRONICS (SHENZHEN) LTD.
Address: Room 702, Unit D, 4 Building Shenzhen Software Industry Base, Xuefu Road, Nanshan District, Shenzhen, Guangdong, China